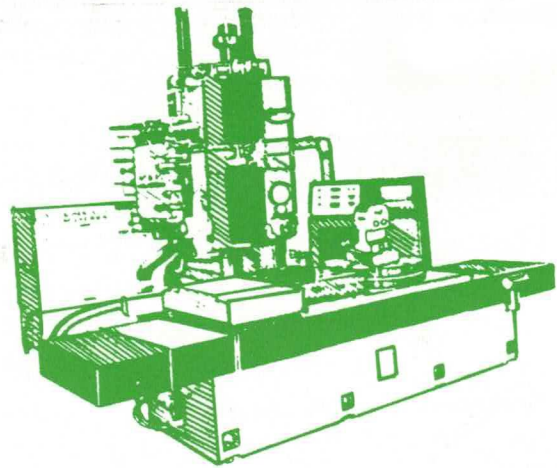


# Parus PRESSURE SWITCH



Manufactured by :

## SUPREME INDUSTRIES

Near Little Rock School,  
Off Pune-Satara Road,  
Dhankawadi, Pune 411 043. INDIA  
Tel.: 24377235  
Telefax : 91-20-25460486  
E-mail : [pressure@vsnl.com](mailto:pressure@vsnl.com)  
Website : <http://www.orion-instruments.com>

## Application

Type DT industrial pressure switches are designed to service wide range of requirements encountered in the control of hydraulic and pneumatic systems, the mediums of which are non-corrosive. These pressure sensitive pilot control devices are employed in the control circuits of machine tools and high pressure lubricating systems.

## Setting

The pressure setting can be done by means of an allen wrench. Turning the set screw clockwise will increase the pressure setting and vice versa. The set pressure should be checked by means of a pressure gauge adjacent to the switch pressure connection and necessary adjustment be carried out. Kindly use 6 mm across flat standard allen key for pressure setting.

## Installation

The switch can be mounted either vertically or horizontally. The thickness of the panel should not be more than 12 mm. The details of panel mounting are shown in the sketch. Clamping of nut will secure the switch in its position.

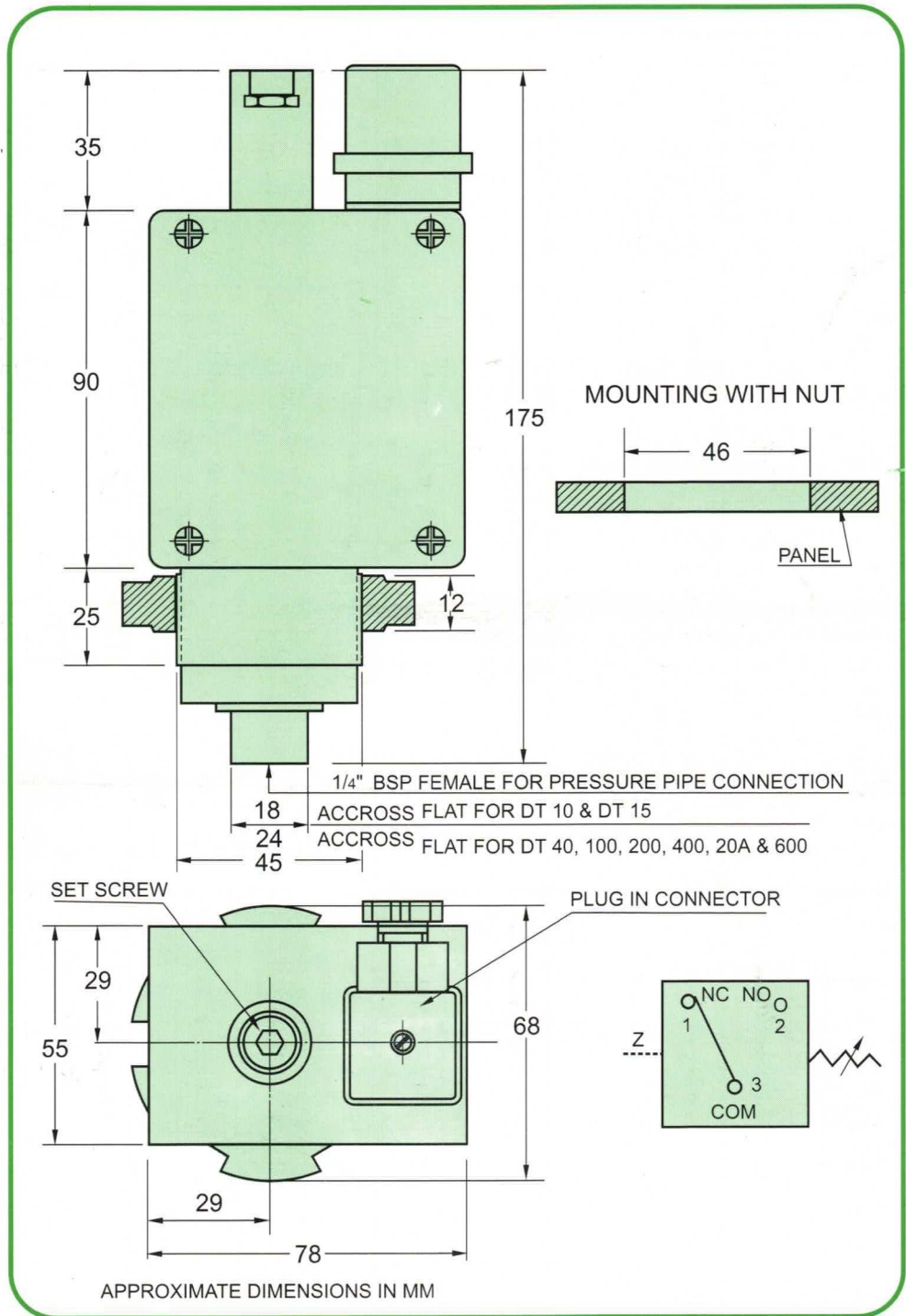
Plug in connector to DIN 43650 is provided for electrical connections. Single pole change over normally open and normally closed contacts are provided. This permits either direct or reverse contact action by choice of connections.

Rough handling of the switch may affect its working. Therefore, reasonable care should be taken when installing the switch.

## Differential

The differential is not adjustable but is given by the values given in the table.

SPECIFICATIONS	MODEL DT 10	MODEL DT 15	MODEL DT 20A	MODEL DT 40	MODEL DT 100	MODEL DT 200	MODEL DT 400	MODEL DT 600
Working pressure Kg / cm <sup>2</sup>	15	15	200	80	120	200	400	600
Switching pressure Kg / cm <sup>2</sup>	1-10	2-15	4-20	5-40	10-100	7-200	50-400	60-600
Sensing element	Nylon reinforced neoprene diaphragm		Piston					
Approximate differential	15% of set value							
Pressure port	1/4" BSP female							
Special features	No drainage, protection against pressure jumps							
Switching capacity	60 / minute							
Working mediums	Hydraulic mineral oil or air, water application against special order							
Temperature of Working medium	10° - 80° C							
Electrical rating	15A / 250 V AC OR 5A / 250 V AC							



As efforts are made constantly to improve both designs and methods of manufacture, apparatus supplied may differ in details from the illustration & data printed.